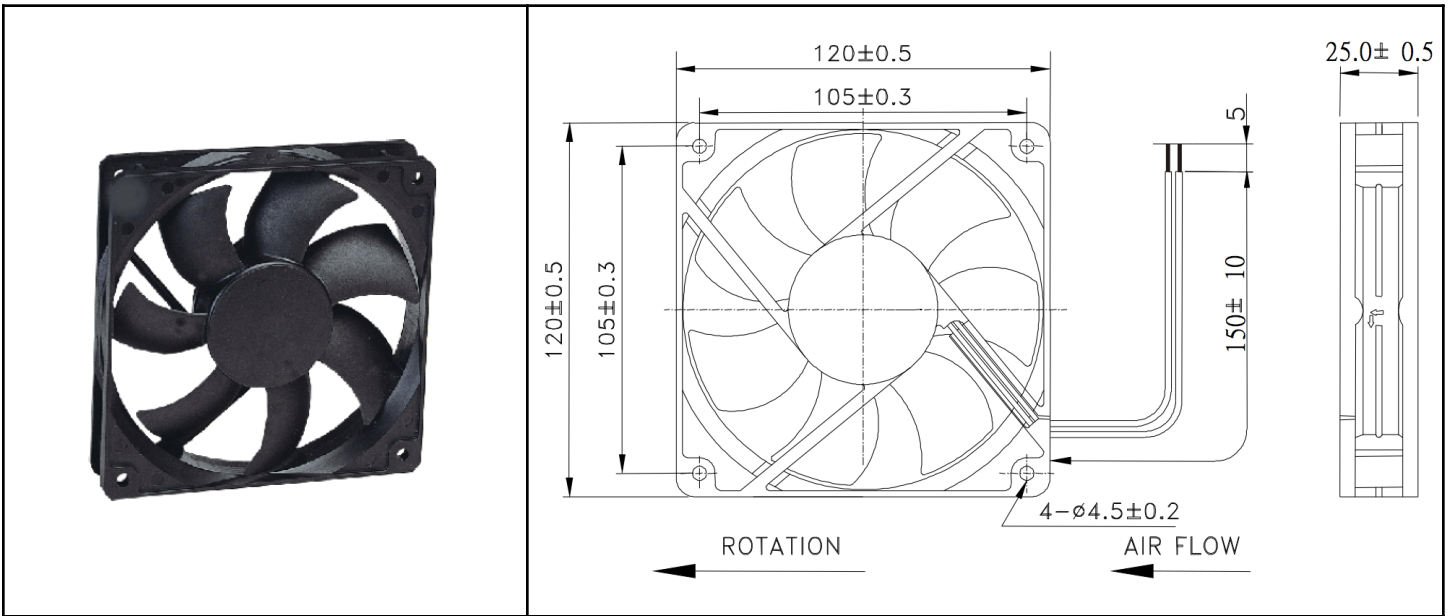


OD1225 Series



DC Fan - 12V, 24V
120x25mm (4.7"x 1.0")



Frame & Impeller	PBT, UL94V-O plastic	Available Options: Sleeve Bearing Ball Bearing Tachometer Alarm Thermal control PWM Input IP55 48V & 5V <u>Life Expectancy (L10)</u> 50,000+ hrs <u>Operating Temperature</u> -10 ~ 70C	
Connection	2x Lead wires 24AWG		
Motor	Brushless DC, auto restart, polarity protected		
Bearing System	Sealed Sleeve		
Insulation Resistance	10M ohm between leadwire and frame (500VDC)		
Dielectric Strength	1 second at 500 VAC, max leakage - 500 MicroAmp		

Part Number	OD1225-12HSS	OD1225-24HSS
Nominal Voltage	12 VDC	24 VDC
Nominal Current	0.44	0.24 A
Rated Power	5.3 W	5.8 W
Rated Speed (RPM)	2200	2200
Airflow (CFM)	85	85
Noise Level (dB)	39	39
Max. Static Pressure	0.14" H ₂ O	0.14" H ₂ O

To indicate sleeve bearing replace "SS" suffix with "S" in part number (25,000 hrs life expectancy)
 To indicate ball bearing replace "SS" with "B" in part number (60,000 hrs life expectancy)



10557 Metric Drive
 Dallas, Texas 75243
 214-340-0265



OrionFans.com
 Information and data is subject to change without prior notification.